

Pull type grape harvester  
**GREGOIRE GT3**

**GREGOIRE**  
SHIFT TO THE FUTURE

Innovative &  
connected

**GT3**





**During the years  
GREGOIRE has  
been able to  
develop its  
products to  
meet all of  
your harvesting  
requirements.**

# 50 years' experience

GREGOIRE offers a wide range of vineyard maintenance equipment : sprayers, self-propelled or trailed harvesters for grapes and olives. The main qualities of the GREGOIRE products range are performance, reliability and low maintenance costs.

These key qualities make GREGOIRE the preferred supplier even for the most demanding end-users.

The GREGOIRE product range is distributed and serviced via a worldwide network of distributors which are trained to provide professional advice and a top class after sales service.

GREGOIRE has obtained a leading position in nearly all grape growing countries in the world. Besides viticulture, GREGOIRE also developed a harvest solution for olives.

Working with olive growers from the very beginning GREGOIRE is today one of the major players in that industry.

*Choosing GREGOIRE means choosing the most reliable and highest quality supplier in mechanization of grapes and olives.*

# Summary

<i>Innovative &amp; connected</i>	<i>p.4</i>
<i>Frame</i>	<i>p.6</i>
<i>Controls</i>	<i>p.8</i>
<i>ARC2 picking head</i>	<i>p.10</i>
<i>Sorting &amp; cleaning</i>	<i>p.12</i>
<i>Bins capacity</i>	<i>p.14</i>
<i>Maintenance &amp; cleaning</i>	<i>p.16</i>
<i>Technical data</i>	<i>p.18</i>

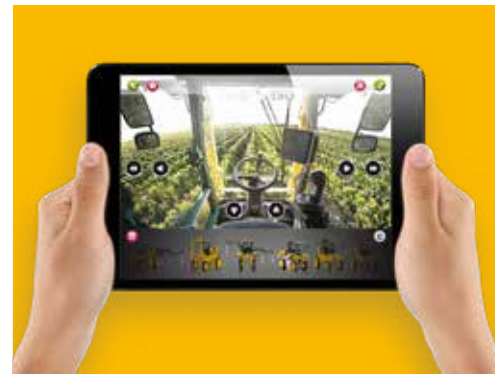
**1978, GREGOIRE GMH**  
Proven reliability



**1989, Tête ARC** has won worldwide recognition as the softest picking head on the market



**2016, GREGOIRE G4 & G5**  
Narrow vineyard specialist



**2018, GREGOIRE GL8**  
Innovations



# Innovative & connected

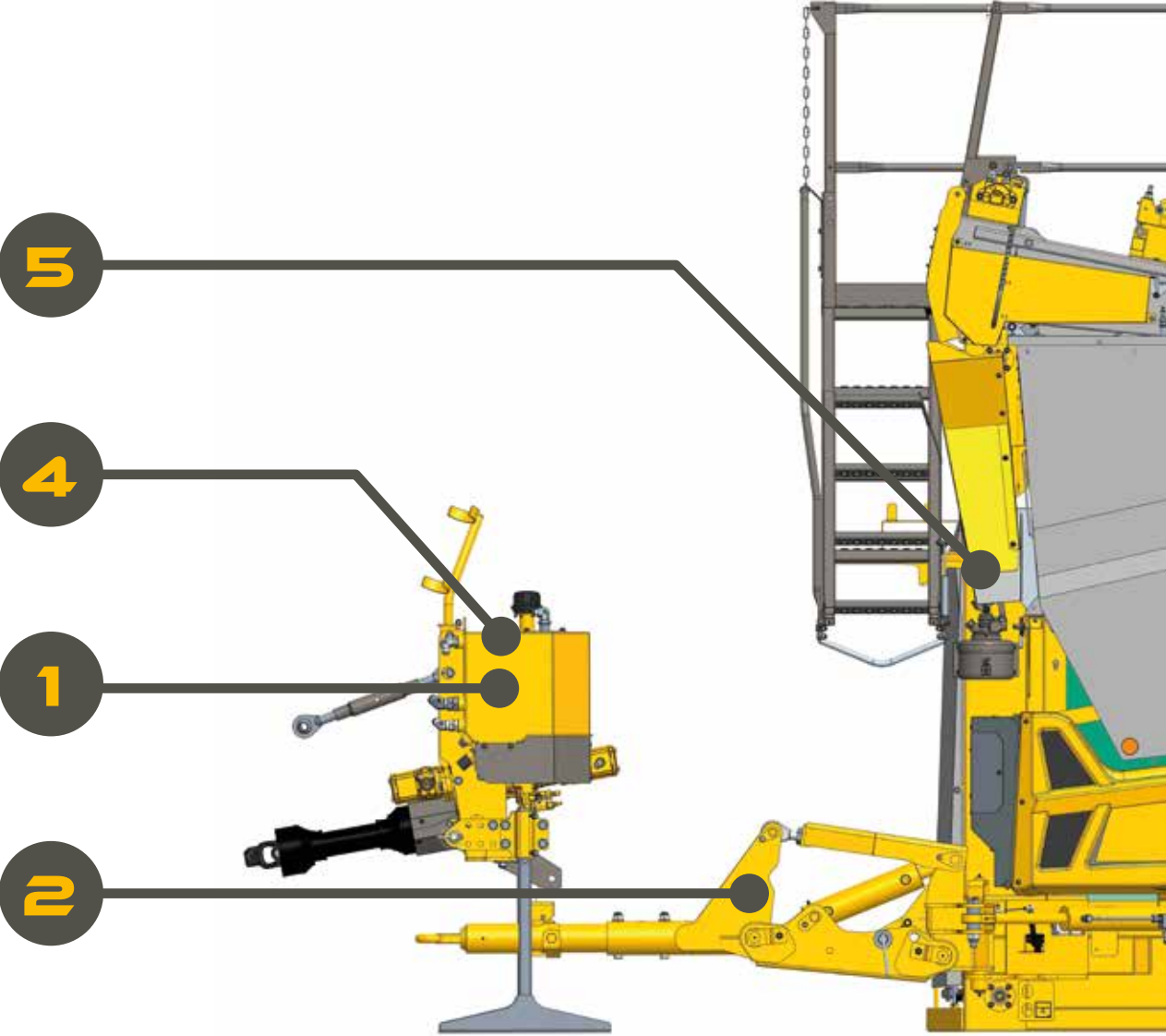
Designed based on a long line of proven pull type harvesters recognized for their harvesting quality. **GT3** is the new **GREGOIRE** high-performance and innovative solution for pull types.

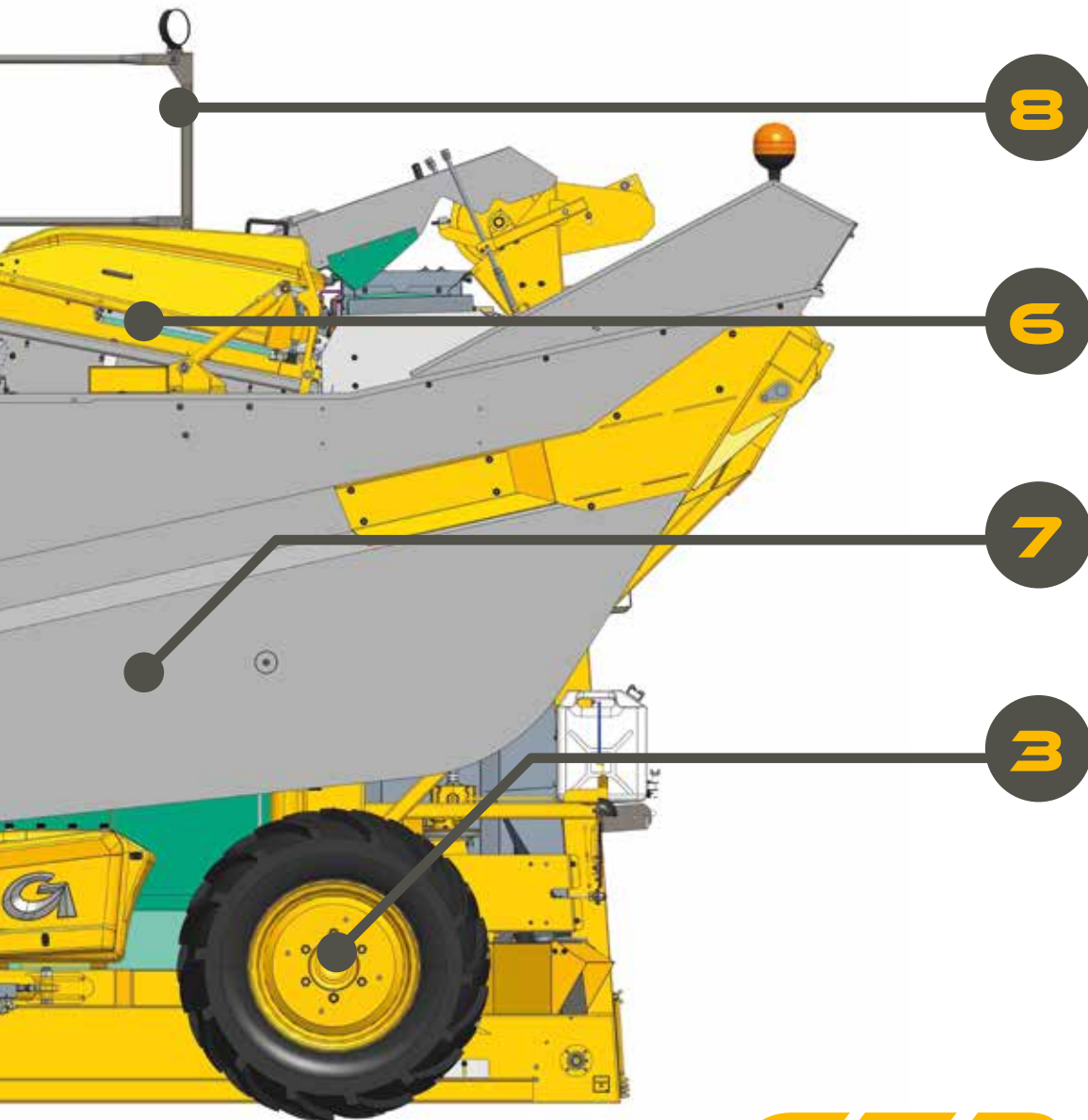
The new **GT3** retains the value of the brand while optimizing each key point of its design: unequalled picking quality, ease of use and low operating cost.

In terms of technical innovation, **GT3** is the first ISOBUS towed harvester available on the market. Driving of the machine and connection to tractor using that technology is simplified.

**GT3** is designed to work in vineyards with a minimum row spacing of 1.5m and will therefore have the capacity to adapt to most of your vineyards.

If you are looking for a towed harvester, easy to use, that respects your vineyard offering you the best picking quality and a low cost of use, we have the solution: **GT3** !





1. Hydraulic power pack integrated to the three-point linkage: **fast coupling with support stand**
2. New draw bar with direct connection to the tractor: **stability and quick adaptation to all tractor types**
3. POCLAIN hydrostatic transmission with automatic driving management, load sensing pump and 820 cm<sup>3</sup> wheel drive motors: **high climbing capacities even in the hardest conditions**
4. ISOBUS connection to the tractor: **simplicity of use**
5. Picking head with new **ARC<sup>2</sup>** rods: **total care for your vines and unequalled picking quality**
6. **EASYclean** on board sorting system: **99,8% cleaning quality on bins**
7. High-capacity bins 2x2000 L or 2X1600 L (Option): **large autonomy**
8. Oversize top platform for maintenance and washing operations: **accessibility**

# GT3

# Frame

**GT3** frame has been specifically developed to cope with the most demanding situations. Lightness and robustness have been our main focus to design the most streamlined frame possible.



## Direct coupling

Harvester direct coupling on the tractor yoke provides the stability and maneuverability of the machine in all conditions. With its compact design, it perfectly adapts to all tractors and allows machine guidance and its height adjustment whilst maintaining stability. The wide-angle drawbar helps maneuvering even in the shortest headlands. The sensor integrated to the drawbar will automatically manage machine driving assistance based on tractor traction.

# GT3

## Fully independent

**GT3** is equipped as standard with a 70 L hydraulic unit allowing the machine to be completely independent of tractor supply. The hydraulic unit fitted on the 3-point linkage comes with support stand for a quick and easy fitting on the tractor. Its design has been thought with the aim to reduce overhanging with the tractor and to offer a perfect balance of the tractor/machine coupling. All pumps are artfully placed under the central unit at a 15° angle to ensure a perfect shaft alignment.



## Centering in the row

Centring in the row is fully automatic and ensures the best care for the vines and the best quality pick. Auto guiding is made by two feelers located at the picking head entrance. Driver can concentrate on the settings and driving of the tractor but may at any time take back control of the machine by actuating the joystick.



## Unrivalled maneuverability

Whatever the working conditions, **GT3** lightness and compactness offers you an outstanding maneuverability and a limited impact on soil compaction. With a 700mm of levelling range **GT3** can perform without difficulties even in the toughest ground conditions and steep slopes. A standard inclinometer and the **AUTOlevel®** function allow you to correct the slope semi automatically, keeping the machine always flat. **GT3** are equipped with an electronic height management. A working height and a dumping height can be programmed and are quickly accessible with a simple click on the joystick. Road height is also available directly from the joystick when switching to road mode and thus, machine levelling is synchronized.

## Automatic lifting (option)

With this system you don't have to worry about machine height. Automatic lifting is easily achieved thanks to height feelers located on both sides of the picking head conveyors.

## Exclusive transmission for all vineyard conditions

**GT3** is equipped with 820cm<sup>3</sup> wheel motor for high crossing capacity. For the steepest slopes machines can be equipped with 1260cm<sup>2</sup> wheel motor.

The new transmission management offers you a unique driving experience. Once transmission activated, the sensor fitted on the drawbar will adjust machine speed according to the tractor traction. Driving assistance needs is supplied by a Load sensing pump. An **OVERboost** mode gives increase-crossing capacities to cope with most difficult ground conditions. Transmission being fully automatic whatever the situation (forward or reversing in headlands) the driver can concentrate on machine settings, picking optimization and on tractor driving.

# Controls

Always at the forefront of innovation. The new **GREGOIRE GT3** makes not exception to the rules and is the first tow behind harvester fully ISOBUS.



## Optimized connectivity

Ergonomic, autonomy and simplicity are the main benefits of the new ISOBUS **GT3** controls. Only one ISOBUS socket is needed to connect your harvester to the tractor. From that moment, all the settings and information of the machine will be available on the tractor command and screen. All you have to do to start harvesting is assign the machine function on the tractor joystick. Space in the cab is optimized and completely preserved.

For tractors that do not have ISOBUS technology **GT3** can be equipped with a 8.4" **i-Monitor** screen and same joystick already used on the self-propelled range. Compact, color and touch screen that offers exact same, experience, features and settings of the ISOBUS solution.



## Designed to bring you the very best

**GT3** is the most complete solution in terms of pull type harvesters. All settings, information are gathered at a unique control point for more efficiency. Every tool speed (picking head, fans, belts,...) is adjusted in real time according to settings, giving consistent working speeds and best picking results.

Headland sequencing programs, which are fully adjustable and customizable are available, giving ease of row entry and exit.

Color camera, inclinometer, bins sensor are also **GT3** standard equipment that benefit to picking efficiency.

**GT3** integrates a large memory for recording, reusing, and analyzing data (Named field data record, harvester settings, high storage, USB extraction, and reuse).



## Driving and settings

All **GT3** commands (drawbar, levelling, slope correction, machine start up, tools and speed ...) are available and adjustable from the tractor joystick and screen. For no-ISOBUS tractor **GT3** comes with an ergonomic, fully adjustable joystick and armrest that can be easily fitted in any tractor cab.

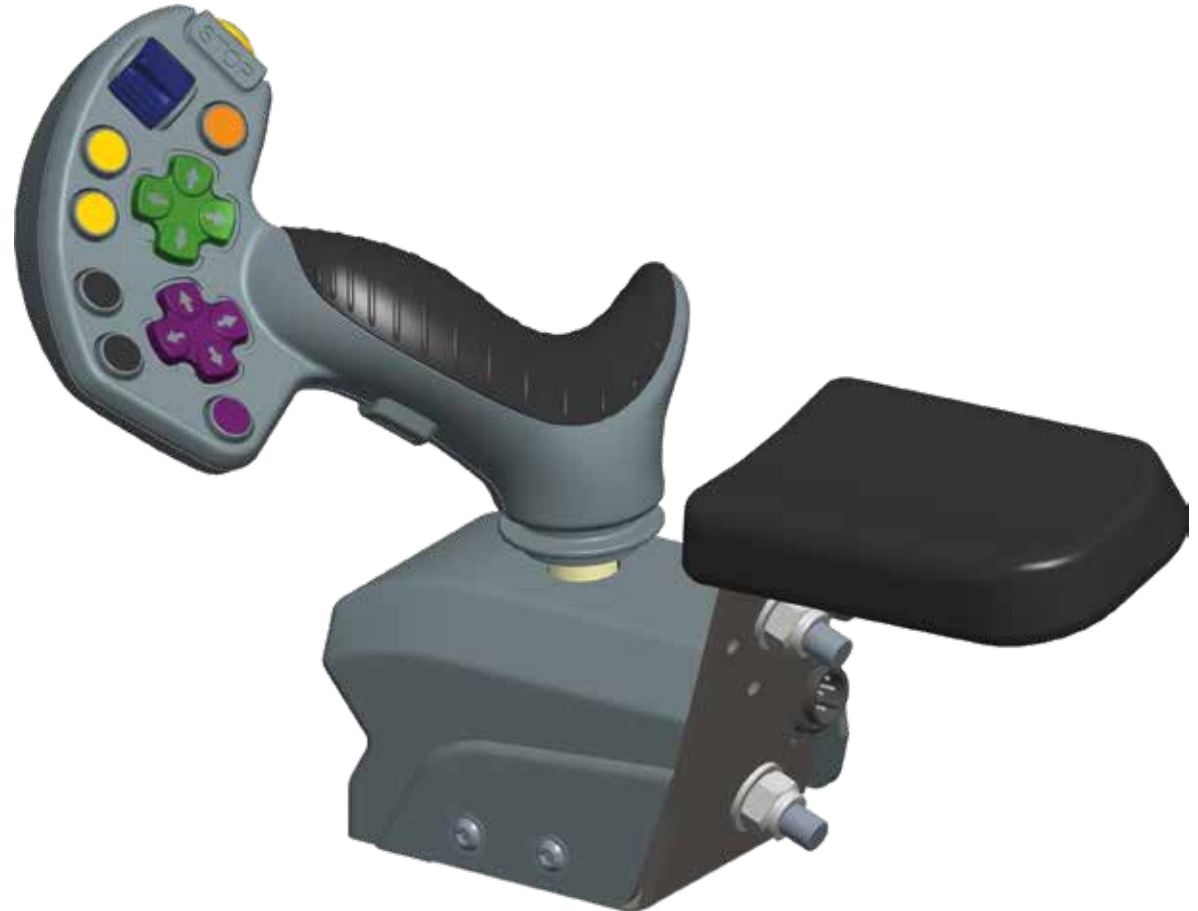
The ergonomically designed joystick with color code buttons makes it easy to use.

Whatever the configuration, **GT3** will bring you same sensation and same picking efficiency as a self-propelled harvester

## Visibility

GT3 are equipped with 2 LED lights. Thanks to the LED technology, **GT3** offers a considerable lighting power, really useful for working at night.

1 flashing light is also available with automatic activation in road mode and when the bins are full.



# ARC<sup>2</sup> pickin head

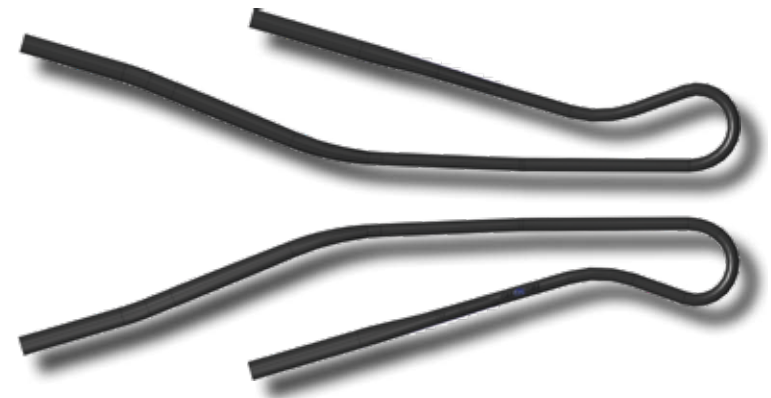
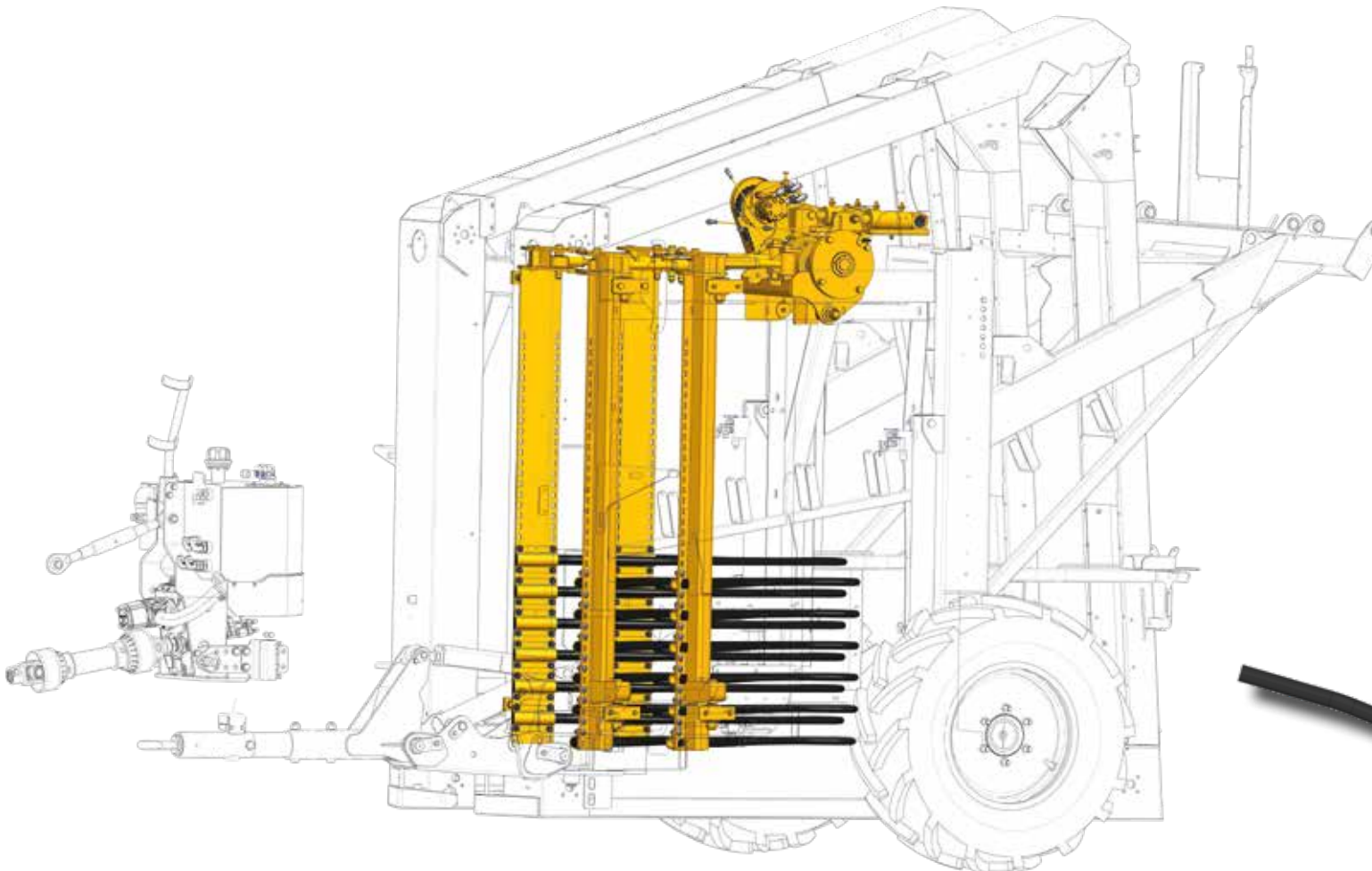
Trellis care, picking quality and innovation have always been associated with the **GREGOIRE ARC** picking head.

The new **ARC<sup>2</sup>** picking head design is based on heritage. **ARC<sup>2</sup>** is setting new **GREGOIRE** picking standards and compliments the new **GT3** perfectly.

*« The gentlest picking head ever built ! »*

## Large picking tunnel

With a 650 mm picking tunnel width, **GT3** can handle all kind of trellis systems: minimal pruning, sprawl without damaging the vine. **GT3** picking tunnel, the largest on the market also gives ease of setting, cleaning, and maintenance of the machine.





## FASTFIT

The **FASTFIT** system enables quick mounting and an easy curve adjustment of the bow rods. The number of bow rods can be easily changed and positioned depending on the height of the fruiting zone.

## Hydraulic pinch setting

Pinch setting is crucial to optimize picking and avoid damage to the plant. This setting is adjusted directly from the tractor cab and the selected value displayed on tractor or harvester screen.



## New **ARC<sup>2</sup>** picking shakers

**ARC<sup>2</sup>** picking head is driven by two parallel shaker posts. Head frequency and stress is shared between both front and rear shakers posts. This results in a much higher picking performance and a better care of your vines. Picking post are mounted on heavy-duty silent blocks to avoid seizing and risk of pollution thus reducing maintenance cost. Due to their exclusive shape **ARC<sup>2</sup>** offer four different working areas, each one with specific functions:

- Compression area: Compresses the canopy to the specified pinch setting without damaging the vines
- Adjustable active zone: main shaking area, adjustable according to grape maturity and vineyard configuration
- Decompression area: trellis decompression area, grapes holding inside canopy are released.
- Final shaking point: bow rods release grapes cleanly around posts.



## Catcher Tray

Catcher tray grape collectors are fitted on a pneumatic rail. Adjusting the air pressure on the rail can increase or decrease how easily the catcher trays open and close. By adjusting the air pressure you can easily minimize the damage done to young plants and optimize catcher tray life span.

**GT3**: 2x16 catcher tray, water tightness length: 2200 mm

Thanks to the exclusive harvesting module design, **GT3** can pick as low as 15cm from the ground. Even the lowest fruiting zones can be picked.

## Conveying

Two large belts 32cm in width, forming a continuous loop carry the harvest to the top of the machine. Belt speed is adjustable in the cab independent of harvester forward speed. The pick will always lay flat on the belts so the fans can remove MOG while leaving the juice and berries. The Conveyor pulleys are self-tensioning. This ensures a positive torque on the conveyor belts no matter the yield or load; this protects the belts longevity. Tensioning can be easily adjusted, with only one spanner, directly from the top platform.

**GT3** with 4 fans or with **EASYclean** are equipped with 380 mm kick off belts that improves the grape handling and improves MOG extraction. At each bin emptying, a mechanical trap door will prevent grape loses coming from kick off belts.

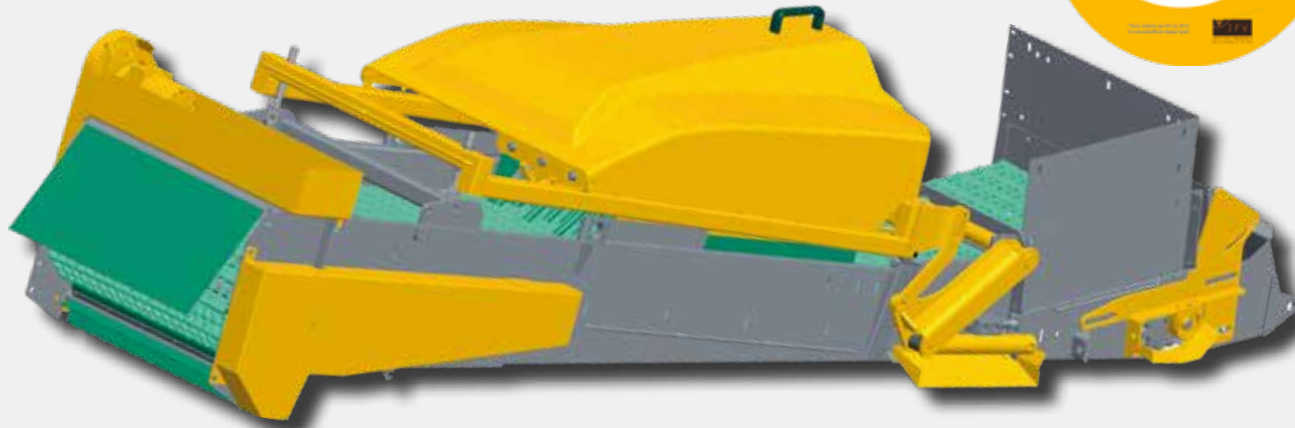
# Cleaning and sorting

The **GREGOIRE** harvest cleaning fan perform cleaning as soon as possible. This removes leaves and MOG (Materials others than grapes) before they get wet and heavy. Juice losses are minimized as bottom fans do not need work high speeds.



## Bottom fans

**GT3** are equipped with 2 bottom fans. These extract leaves right after shaking. To improve MOG removal, 2 vertical extractors remove canes, training sticks and all dead wood. To avoid large foreign object or vine stock from entering the conveyor system GT3 dead roots deflector can be optioned.



## EASYclean

EASYclean sorting system is available on **GT3**. The **EASYclean** system developed by **GREGOIRE** is a linear on-board sorting system designed for simplicity, resulting in low running costs and maximum cleaning efficiency.

**EASYclean** is simple:

- Food quality plastic chain covering the whole bin length
- Destemming head with oscillating fingers

**EASYclean** introduce a new harvest quality standard. Tests performed by IFV (official French wine institute – 2016 with Syrah) proves total **EASYclean** efficiency.

**EASYclean: 99.8% cleaning quality on bins.**

Depending on your wine making preference the **EASYclean** heads can be used or not. Two hydraulic cylinders allow to lift the whole sorting table. Grape goes straight to the bins and cleaning is made by bottom fans. With **EASYclean** lifted up, the whole system is disengaged. There is no unnecessary wearing and cleaning at the end of the day.

The principle of how **EASYclean** works, is very simple. Only 2 main settings are necessary to adjust for effective cleaning:

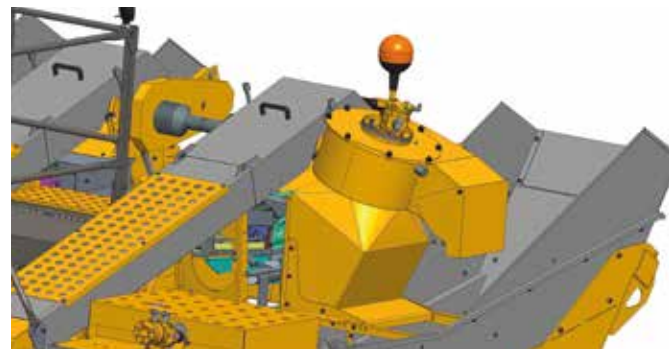
- Chain rotation speed (in relation to yields and working speed)
- Oscillating frequency (in relation with de-stemming level)

These 2 settings are directly adjustable from driver cab.

Cleaning and maintenance operation are facilitated. A large top platform gives an easy access to the whole system. Sorting head can be lift up and large hoods offers a large operating area for maintenance and cleaning. Greasing is also quickly achieved thanks to centralized greasing point.

## MAXflow

To optimize bottom fans efficiency **GT3** is equipped with **MAXflow** system. 2 trapdoors located each side of main conveyor, underneath bottom fans, adjusts air intake to fans for an optimum MOG extraction. Trapdoor position and air intake can be adjusted in seconds depending of harvest conditions.



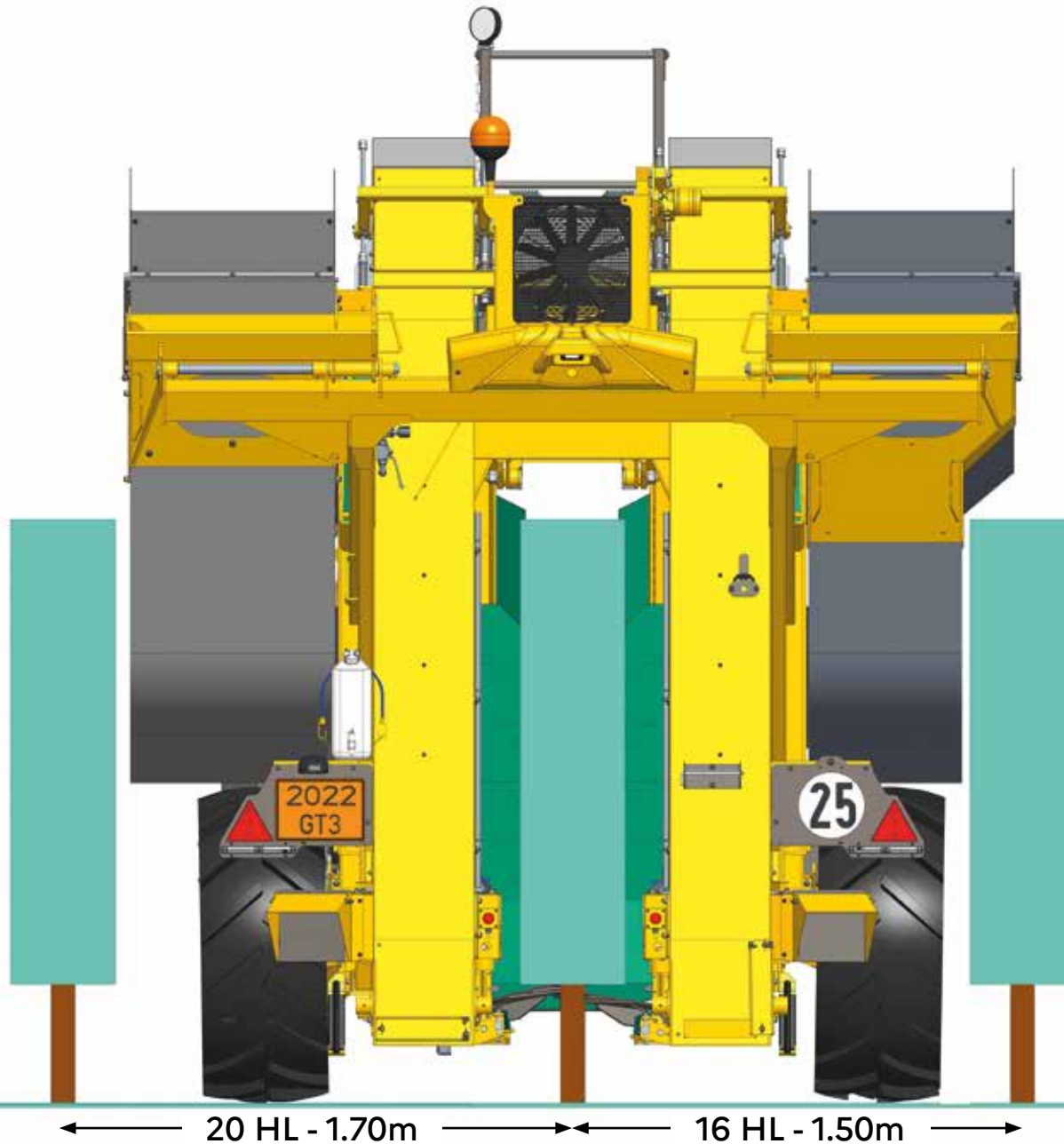
## Top fans

To perfect cleaning you can equip **GT3** with 2 top fans. These are fitted on top of each bin and fine-tune cleaning just before harvest falls into the bins.



# Capacity

To overcome the challenges of production and efficiency **GT3** comes with the new generation of large capacity bins. In real-time grape quantity inside the bins can be monitored.



## Large bin capacity

**GT3** lateral stainless steel bins offer the largest storage capacity available on the market. Dumping time is less, and productivity is increased.

Standard bins:

- Capacity: 2 x 2000 L
- Width bin to bin: 2950 mm

Narrow bins (option):

- Capacity: 2 x 1600 L
- Width bin to bin: 2600 mm

## New design

Designed to optimize dumping operation **GT3** new bins feature a rounded shape on its rear part to allow a fluid harvest emptying. To free some space at the back of the machine, bin cylinders have been integrated to the machine frame.

## Full control

To control filling, the bins are fitted with an ultrasonic bin level sensor. Bin level is displayed in real-time inside the cab on the touchscreen. An alarm can be set when a predetermined bin level is reached. When bins are full the flashing lights will activate automatically to warn gondola drivers.

## Camera

A rear camera is fitted at the back of the machine. it allows you to control the emptying process and good trailer alignment. Maneuvers are quick and mistakes are avoided.

## Automatic bin leveling augers

Bins are equipped with hydraulically driven levelling auger. It optimizes the bin's filling by spreading the harvest in the bin. To avoid crushing the pick, augers can be stopped automatically based on bin level.

## 3m Emptying height

**GT3** comes with a 3m dumping height allowing emptying in truck trailers or highest tractors trailers.

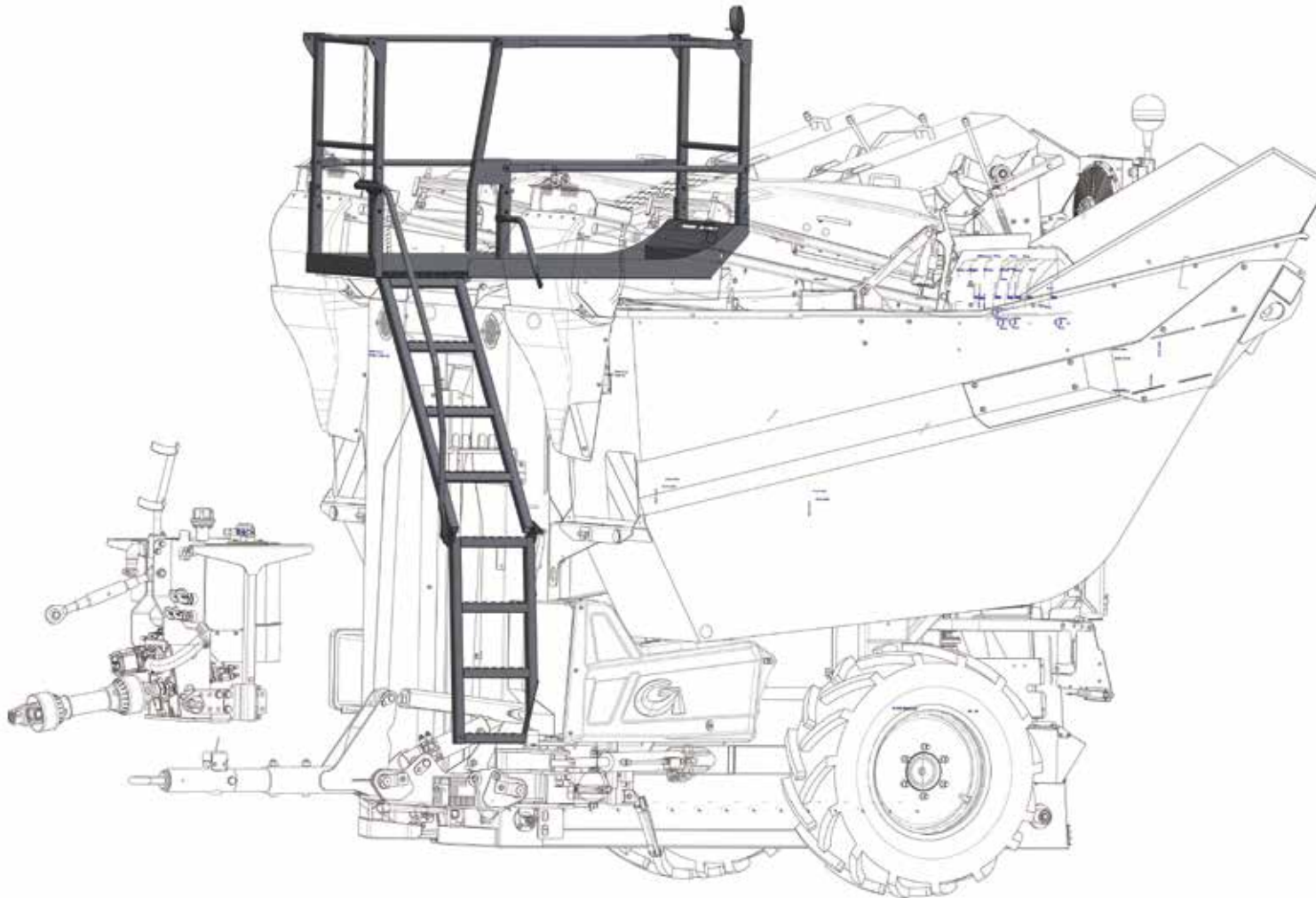


## Width bin to bin

To adapt all vineyard dimension **GT3** is available with two bins capacity:

- 2950 mm (Standard bins 2000L) From 1,7 row width (depending of canopy size)
- 2600 mm (Narrow bins 1600L) From 1,5 row width (depending of canopy size)

# Access and maintenance



Maintenance is an integral part of a typical harvest day. Because regular maintenance means an uninterrupted harvest; from the very beginning **GT3** has been designed to make every cleaning and maintenance operation easy.

## Oversize top platform

**GT3** integrate on oversized top deck. It provides you with total freedom of movement for maintenance and washing operations. An adjustable LED spotlight located on the safety guard will help you carry out those operations even after nightfall. For a convenient access a foldable ladder is available whatever the condition. For road transport a quick folding system, allow to fold the safety guard and reduce total height.



## Hoods

With 10 different hoods located all around the machine access and visibility are optimized to reach every components of the machine: Hydraulic and electric components, shakers, belts, fans, ...  
Maintenance is easy and washing is fast.

## Integrated washing line

To make **GT3** cleaning easy the machine is equipped with an integrated washing line. A bottom water connection allows you to connect your water supply and to provide water directly to the top platform. You save time and water.



## Outside storage and components

**GT3** comes with outside storage, ideally positioned around the machine. Tools and machine components can be easily stored on hangers or in the toolbox compartment. A hand-washing container located at the back of the machine will allow you to rinse your hands each time needed.

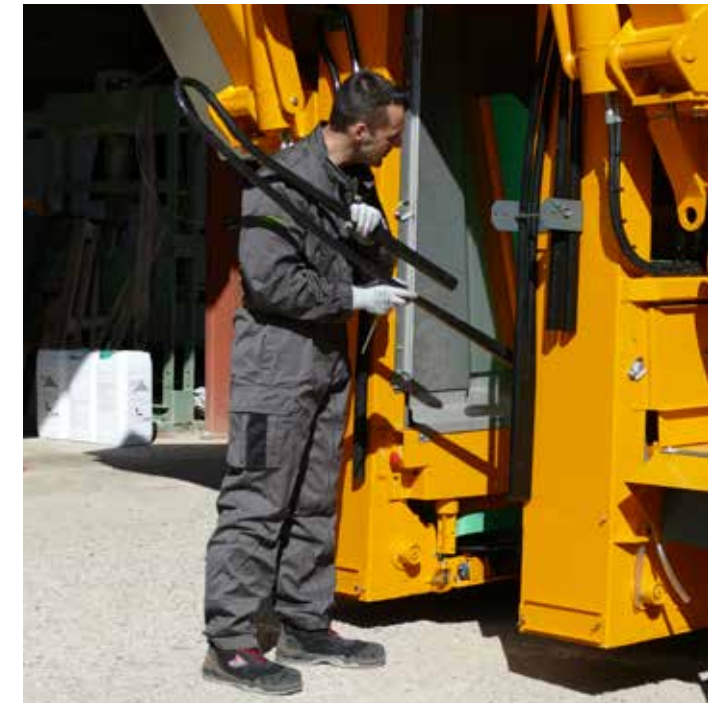
## Greasing

After washing, greasing is always recommended. All greasing points are gathered in key and in easy to reach area around the machine. Manual greasing is quick and no grease points will be missed. As an option, automatic greasing is also available.



## Separated control box

Harvester function are controllable from a separate control box located on the top deck. This external control box mounted on a strong magnet is easily movable and can be re positioned wherever needed. This command gives you access to main function commonly used for washing and you will avoid going back and forth between the tractor cab and the machine.



# Technical data

Model	GT3
<b>Pour vignes</b>	
Minimum row spacing	1.50 m
Ground clearance	1.95 m
<b>Linkage</b>	
Draw bar with direct connection to the tractor	●
Guidage automatique sur la rang via palpeurs	●
3 point linkage hydraulic power pack	●
<b>Transmission</b>	
Wheel drive	●
Auto guiding with with feelers	●
Transmission <b>OVERboost</b>	●
Wheel motor capacity	820 cm <sup>3</sup> (1260 cm <sup>3</sup> option)
Slope correction	700 mm/28%
<b>Hydraulic</b>	
No hydraulic from tractor needed	●
Oil tank capacity	70 L
Filtration system	On return and aspiration
<b>Control</b>	
Multifonction joystick with backlighting and arm rest	●
Touch and color screen <b>i-Monitor</b> 8,4" (For no ISOBUS Tractor)	●
ISOBUS connection (Necessary for ISOBUS tractor)(Screen and joystick not supplied)	○
Nominatives records (hours, hectares, ...) with USB extraction	●
Nominatives settings with USB extraction	●
<b>Visibility</b>	
Lights number (LED)	2
Flashing light automatic activation in road mode	●
Flashing light automatic activation when bins are full	●
Infra red color camera	1 (2 as option)

Model	GT3
<b>Harvesting head</b>	
Full harvester control and setting from driver cab	●
14 shakers <b>ARC</b> <sup>2</sup> with fast fixing <b>FASTfit</b>	●
Catcher tray number	2x16
Pneumatic catcher tray with adjustable angle	●
Catcher tray length	2200 mm
Minimum harvesting height	- than 15 cm
Tunnel width	650 mm
Belts width	320 mm
Belts hydraulically driven with adjustable speed and reverse	●
Picking function with low speed alarms	●
<b>Cleaning of the harvest</b>	
2 bottom fans	●
<b>MAXflow</b> adjustable air intake	●
Vertical extractors	●
Dead wood deflector	○
2 top fans	○
<b>EASYclean</b> : sorting system with oscillating fingers - 99,8% cleaning	○
Kick off belt high capacity for Top fan and <b>EASYclean</b> version	380 mm
<b>EASYclean</b> hydraulic lifting	<b>EASYclean</b> Version
<b>Bin</b>	
Standard stainless steel bins capacity	4000 L (2x2000 L)
Narrow stainless steel bins capacity	3200 L (2x1600 L)
Bin level sensor	●
Emptying height	3 m
Automatic bins filling	By worm screw
<b>Access, cleaning and maintenance</b>	
Oversized top platform	●
Centralized greasing (Automatic greasing available as an option)	●
Shakers storage and tools box	●
Separated control box	●
Integrated washing line with water supplying on top platform	●

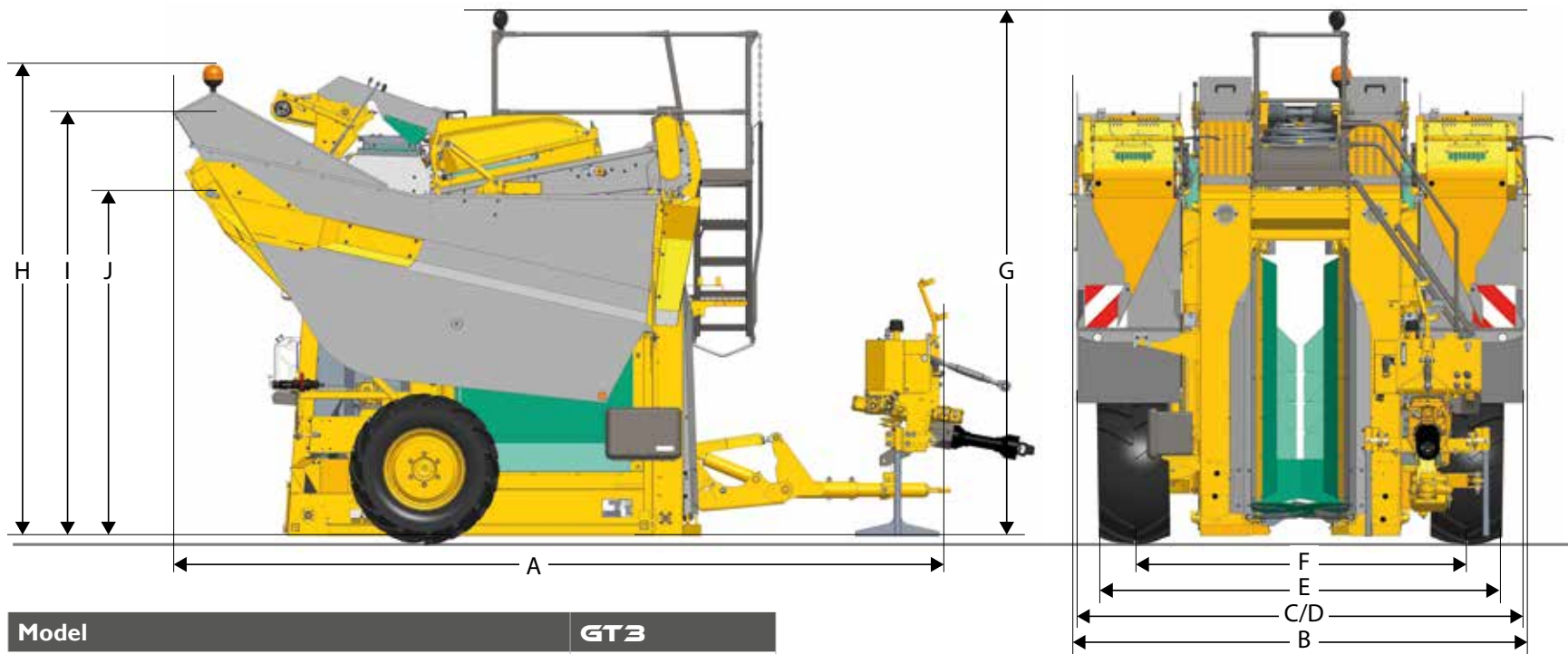
● : Standard / ○ : Option /

\*Specifications are indicative, in order to constantly improve its products, GREGOIRE reserves the right to modify specifications without notice

\*\* This literature has been compiled for worldwide circulation. While general information, pictures and descriptions are provided, some illustrations and text may include product, options and accessories NOT AVAILABLE in all regions.

\*\*\* The equipment complies with European Directives 2002/44 / EC and 2003/10 / EC

# Technical data



Model	GT3	
Available tires	420/65 R20 (Std) 500/50 R20 (Large)	
A - Total length - standard/ EASYclean	mm	5091
B - Overall width	mm	3000
C - Width bin to bin 4000L (2 x 2000 L)	mm	2950
D - Width bin to bin 3200L (notched till 1,95m from the ground)	mm	2600
E - Wheel width standard / Large	mm	2490 / 2686
F - Wheel track standard / Large	mm	2042 / 2194
G - Total height (Machine on the ground / Safety guard open)	mm	3324
H - Total height (Machine on the ground / Safety guard folded)	mm	3024
I - Bin height (Machine on the ground)	mm	2785
J - Bin discharge axle height (Machine on the ground)	mm	2255

● : Standard / ○ : Option /

\*Specifications are indicative, in order to constantly improve its products, GREGOIRE reserves the right to modify specifications without notice

\*\* This literature has been compiled for worldwide circulation. While general information, pictures and descriptions are provided, some illustrations and text may include product, options and accessories NOT AVAILABLE in all regions.

\*\*\* The equipment complies with European Directives 2002/44 / EC and 2003/10 / EC

# GREGOIRE know-how to serve your vineyard

With over 30 years experience in the mechanization of vineyards, **GREGOIRE** offer a complete range dedicated to grape and olive harvesting and spraying.

## Stay oriGinal !

To benefit from a high performance harvester and a constant reliability during the years it is important to maintain your machine with **GREGOIRE** Original spare parts. The **oriGinal** spare parts offer your equipment a long lifetime. They are made to fit and have the right specifications.



The use of **GREGOIRE** Original spare parts will limit your risk of break downs and it also optimizes your lower cost of operation.

### GREGOIRE GL6



### GREGOIRE ECOPROTECT



### GREGOIRE GX9 MIXTA



## GREGOIRE

89, avenue de Barbezieux  
CS70213 Châteaubernard  
FR-16111 Cognac Cedex

P. +33 (0)5 45 82 23 49  
F. +33(0)5 45 82 94 43

[contact@gregoiregroup.com](mailto:contact@gregoiregroup.com)  
[www.gregoire.fr](http://www.gregoire.fr)

# GREGOIRE

